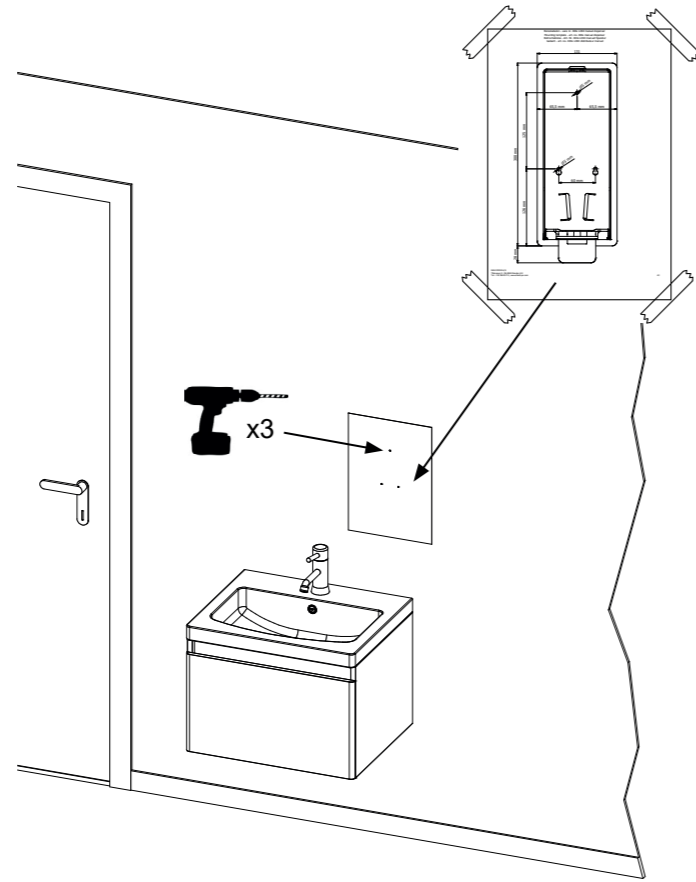
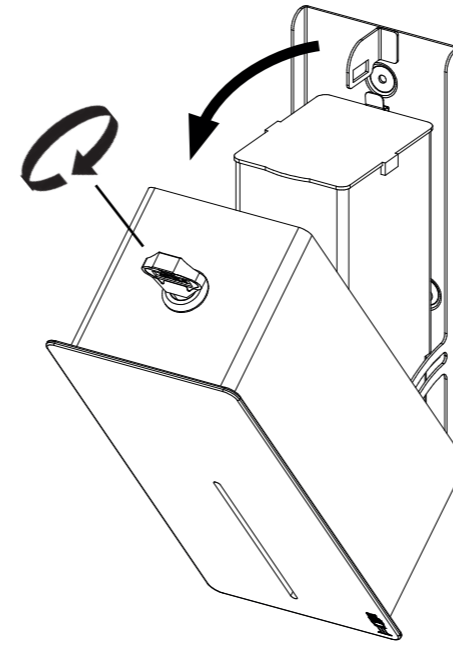


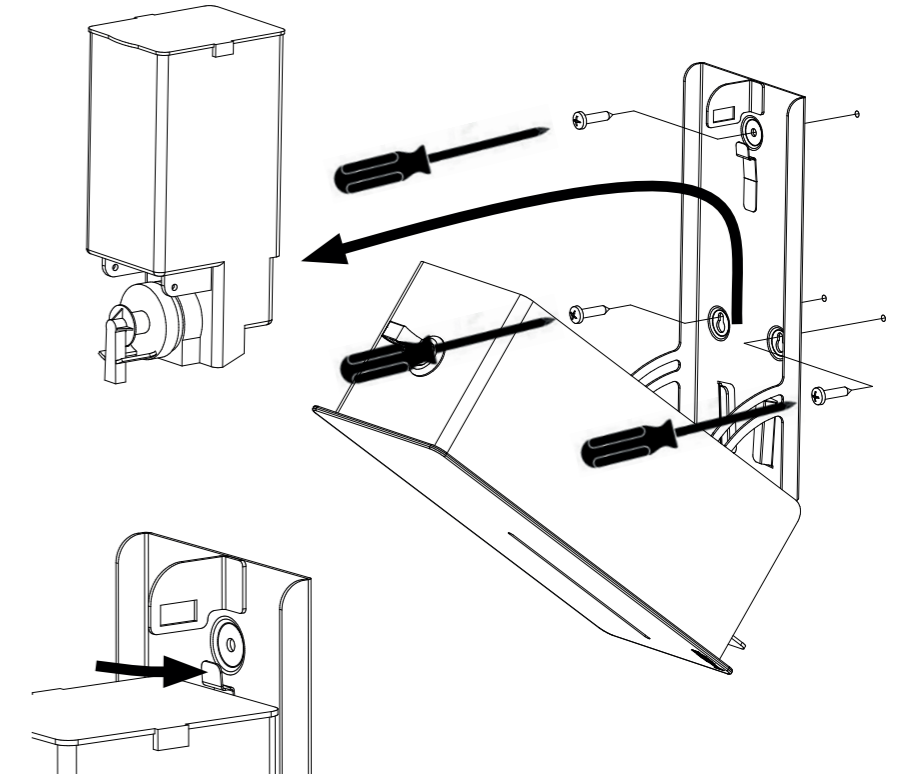
1.



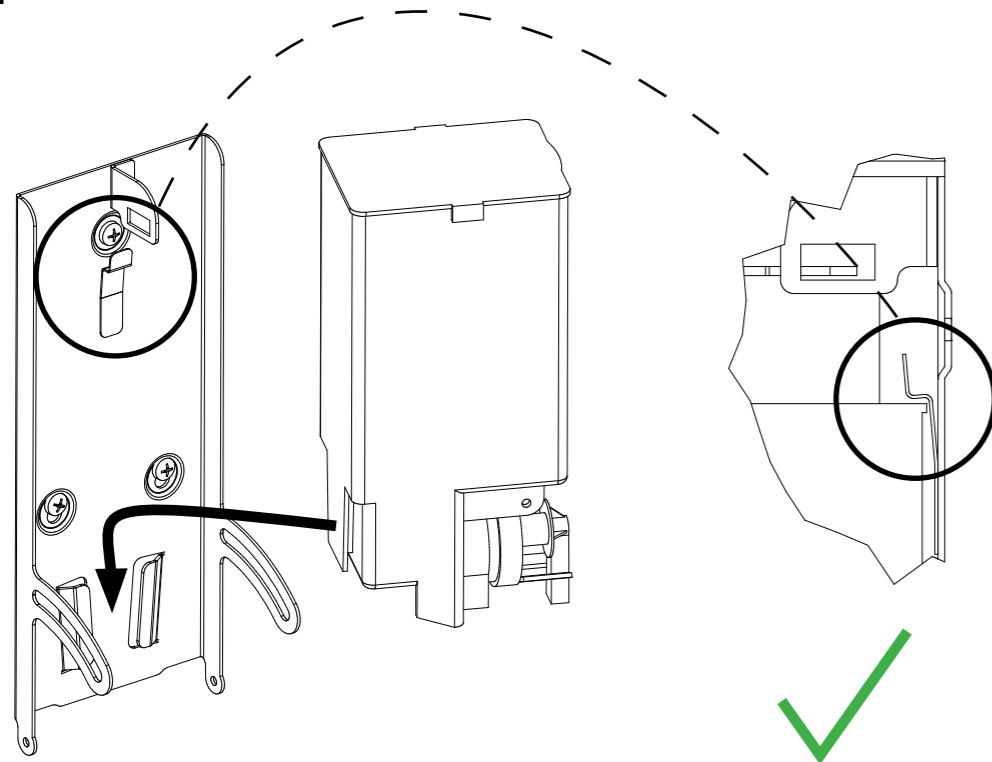
2.



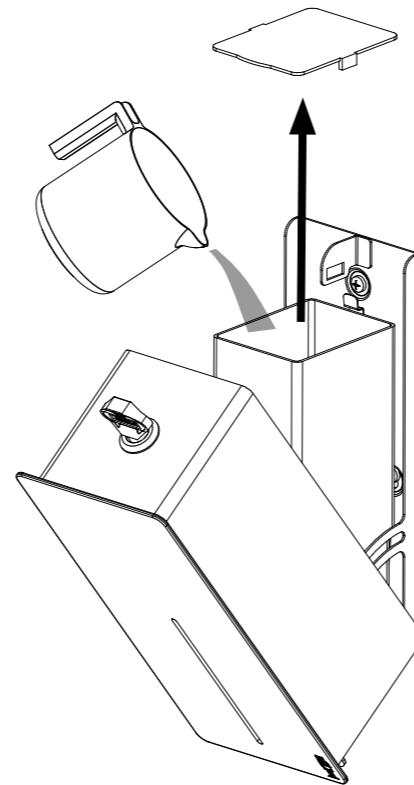
3.



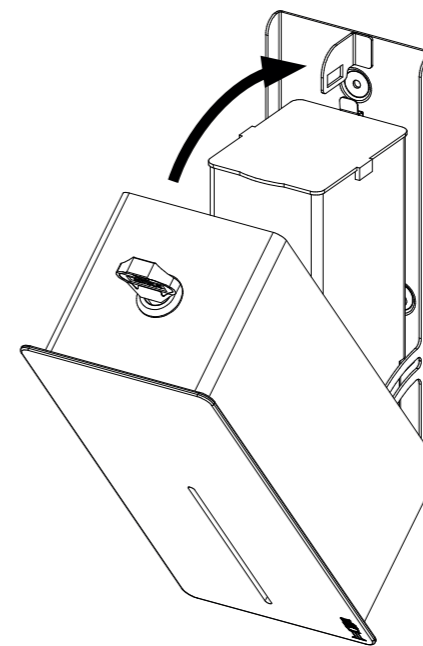
4.



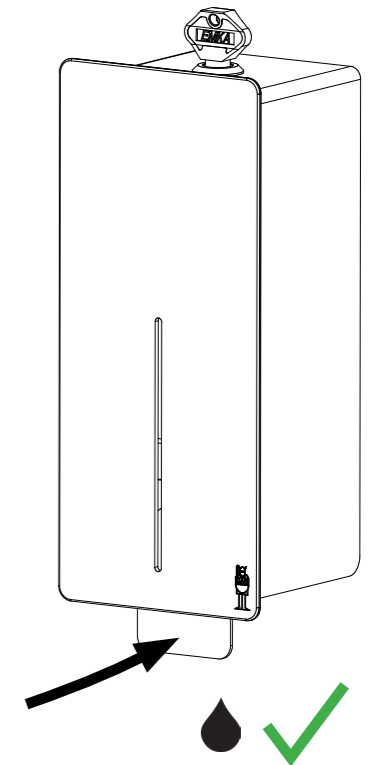
5.



6.



7.





SPARE PARTS LIST

Manual LOKI liquid soap/ disinfectant dispenser 4040/4042/4044/4046



Pos. No.	Art. No.	Spare Part
1+2+4+6	28208	Lock complete, silver, without security key for housing
	28209	Lock complete, black, without security key for housing
3	28202	Square key for housing, black polyamide
5	33215	Sound absorbing PVC bumper
7	33726	Hinge for shaft
8	55000	Grub screw with internal hexagon and point. ISO 4028 SS A2, M6x10
9	67150	Capped Starlock Ø5
10	67151	Capped Starlock Ø6
	67200	Housing, ground stainless steel
	67201	Housing, white powder coated stainless steel
11	67202	Housing, black powder coated stainless steel
	67205	Handle for housing, ground stainless steel
	67206	Handle, white powder coated stainless steel
12	67207	Handle, black powder coated stainless steel
	67240	Container for soap/disinfectant
14	67240	Container for soap/disinfectant
15	10890	Pump for soap/disinfectant container
	67120	Light guide for housing